



## CLASS I BIOLOGICAL SAFETY CABINET

### EUROAIRE CBK MODEL

ESPECIALLY SUITABLE FOR WORK WHICH REQUIRES PROTECTION OF PERSONNEL AND ENVIRONMENT

#### CHARACTERISTICS

- CLASS I biological safety cabinet, according to EN 12469 international standard.
- Designed to provide total protection to the operator and his environment whilst handling microorganisms and low and/or moderate risk biological products, when protection of the product is not necessary.
- Continual aspiration flow with ultra-filtered air exhausted.
- High performance motor with continually adjustable speed.
- Fitted with alarms indicating malfunctioning and low protection.
- ULPA (H14) filter with 99.995% MPPS efficiency according to EN 1822.
- Control panel to regulate flow, UV / white light.
- Work unit made of stainless steel.
- Stainless steel frontal cover included.
- Motor unit made of epoxy painted steel plate.
- Manufactured in two sizes and in stainless steel and painted steel plate.
- Possibility of a second carbon active filter with each of the models.



#### REFERENCES FOR ORDERS

Code	Description	Package
00-CBK 120 .....	Biological safety cabinet, Euroaire CBK 120 Stainless steel	Unit
00-CBK 120 C .....	Biological safety cabinet, Euroaire CBK 120 Stainless steel + Carbon filter	Unit
00-CBK 120 CARB .....	Carbon filter C-100 for CBK 120	Unit
00-CBK 120 P .....	Biological safety cabinet, Euroaire CBK 120 Painted	Unit
00-CBK 120 C-P .....	Biological safety cabinet, Euroaire CBK 120 Painted + Carbon filter	Unit
00-CBK 150 .....	Biological safety cabinet, Euroaire CBK 150 Stainless steel	Unit
00-CBK 80 .....	Biological safety cabinet, Euroaire CBK 80 Stainless steel	Unit
00-CBK 80 C .....	Biological safety cabinet, Euroaire CBK 80 Stainless steel + Carbon filter	Unit
00-CBK 80 P .....	Biological safety cabinet, Euroaire CBK 80 Painted	Unit
00-CBK 80 C-P .....	Biological safety cabinet, Euroaire CBK 80 Painted + Carbon filter	Unit



#### MAIN OFFICE

José Echegaray, 8. 1-3  
Tel.: 902 103 578  
Fax: 902 102 459  
28100 Alcobendas (Madrid)

#### LOCAL OFFICES

Catalunya - Tel.: 609 472 406  
Galicia - Tel.: 639 486 955  
Andalucía - Tel.: 639 481 756

[www.tdi.es](http://www.tdi.es)  
[ventas@tdi.es](mailto:ventas@tdi.es)

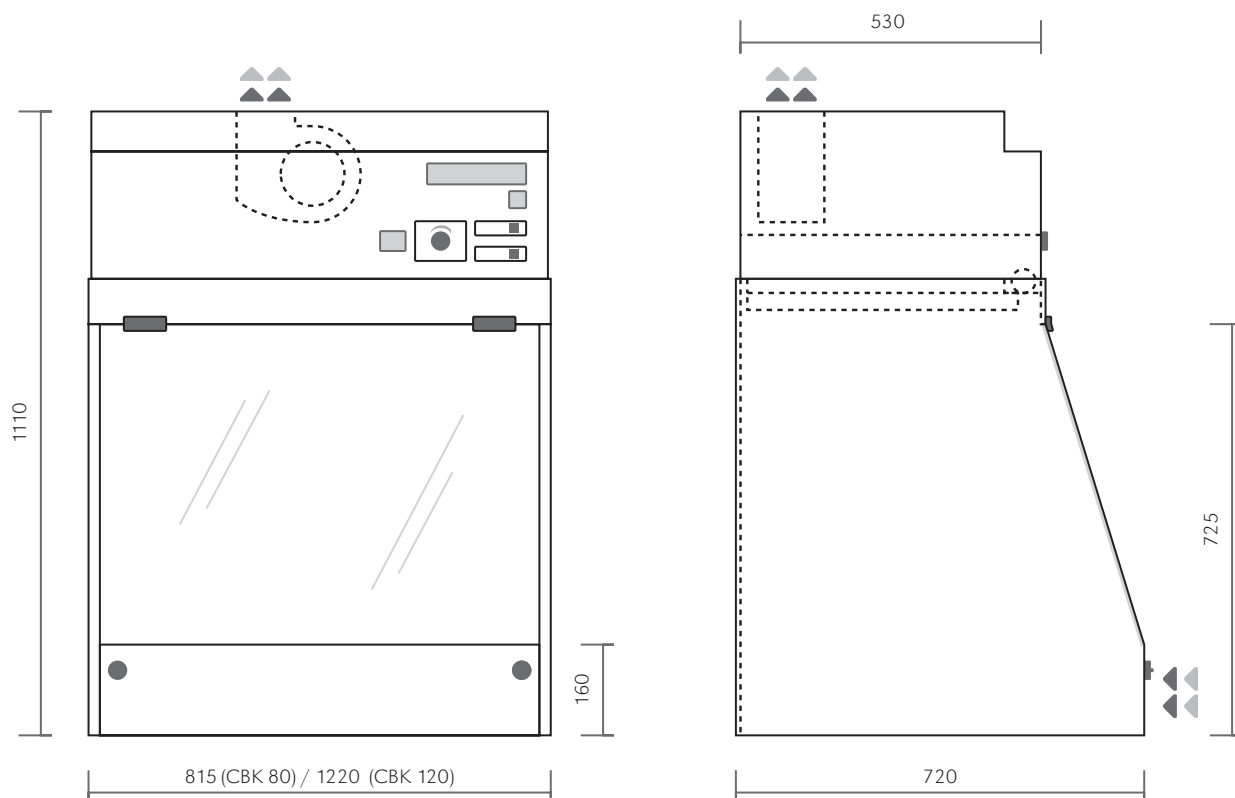
## CLASS I BIOLOGICAL SAFETY CABINET

### EUROAIRE CBK MODEL

ESPECIALLY SUITABLE FOR WORK WHICH REQUIRES PROTECTION OF PERSONNEL AND ENVIRONMENT

#### DIMENSIONS

Dimensions on milimeters (mm.)



#### MAIN OFFICE

José Echegaray, 8. 1-3  
 Tel.: 902 103 578  
 Fax: 902 102 459  
 28100 Alcobendas (Madrid)

#### LOCAL OFFICES

Catalunya - Tel.: 609 472 406  
 Galicia - Tel.: 639 486 955  
 Andalucía - Tel.: 639 481 756